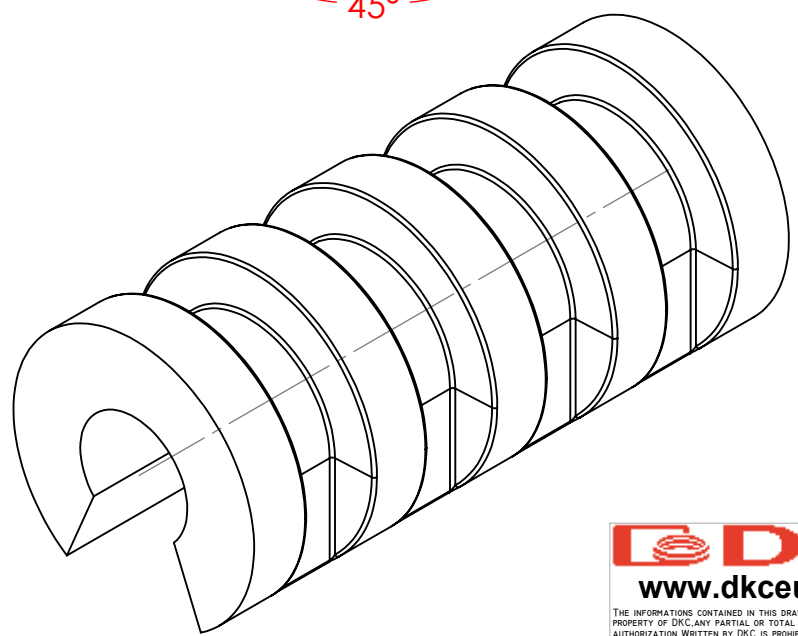
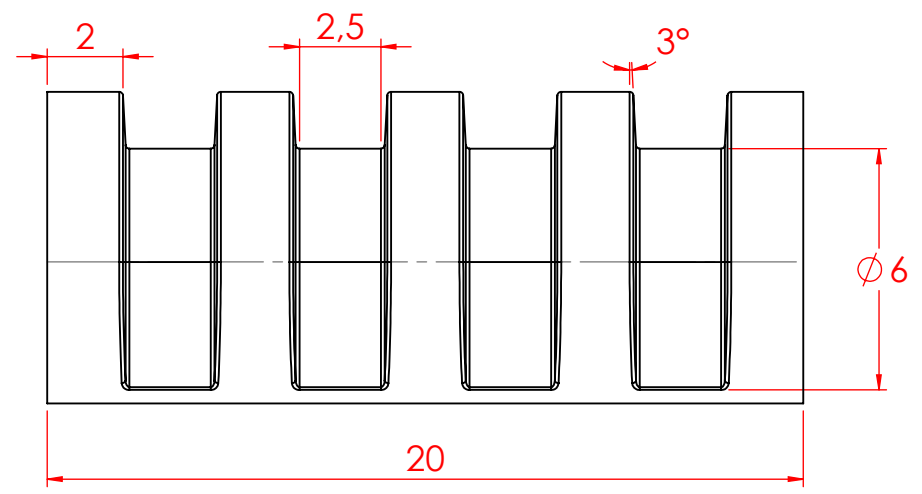
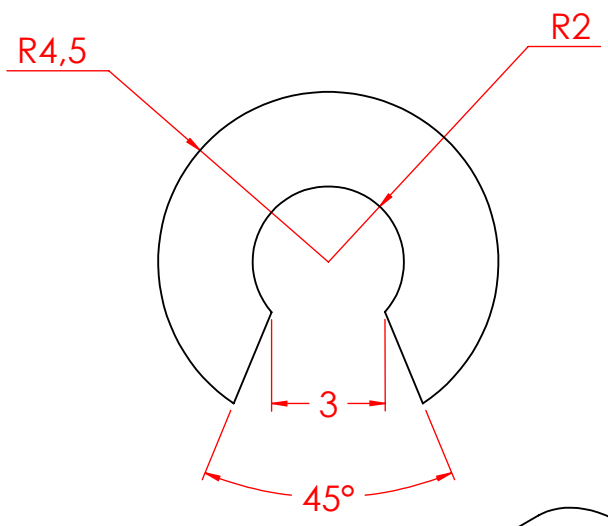


1 2 3 4 5 6

A
B
C
D

A
B
C
D



THE INFORMATIONS CONTAINED IN THIS DRAWING ARE THE EXCLUSIVE PROPERTY OF DKC. ANY PARTIAL OR TOTAL REPRODUCTION WITHOUT AUTHORIZATION WRITTEN BY DKC IS PROHIBITED

Description: **Cover holders 4mm**
 Code: **4499902**
 Material: PVC
 Finish:

REV	MODIFICATION	DATE	Designed	Resp.	Date	Weight(Kg)	Rev.
			Fabrizio Molinari	Fabrizio Molinari	27/01/2015	0.57	0
Revised By:			Controlled	Marco Scagliola	27/01/2015	Drawing number:	
QUOTE WITHOUT INDICATION OF TOLERANCE			Approved			4499902	

DIMENSIONS IN MM		LIMIT DEVIATIONS DIMENSIONAL FIELDS UNI ISO 2768-I M					LIMIT DEVIATIONS FOR ANG. DIMENSIONS UNI ISO 2768-I M		
OVER 3	OVER 6	OVER 30	OVER 120	OVER 400	OVER 1000	UP TO 10	OVER 10	OVER 50	OVER 120
UP TO 6	UP TO 30	UP TO 120	UP TO 400	UP TO 1000	UP TO 2000	UP TO 10	UP TO 30	UP TO 120	UP TO 360
±0.1	±0.2	±0.3	±0.5	±0.8	±1.2	±1°	±0°30'	±0°20'	±0°10'